

HETTINGER FIRE DEPT.

PUMPER

TID NO. 13294



BODY

- Bolted Painted Stainless Steel Body
- ROM Roll Up Doors
- Rear Slide-In Ladder and Pike Pole Storage
- Rear Slide-In Hard Suction Storage
- Storage for 8 SCBA Bottles in Wheel Wells
- Toyne Custom Under Step Storage

CHASSIS

- Freightliner M2 106 4 Door Chassis
- Cummins ISL9 350 HP Engine
- 3000 EVS Transmission
- Seating for 5 Firefighters

TANK

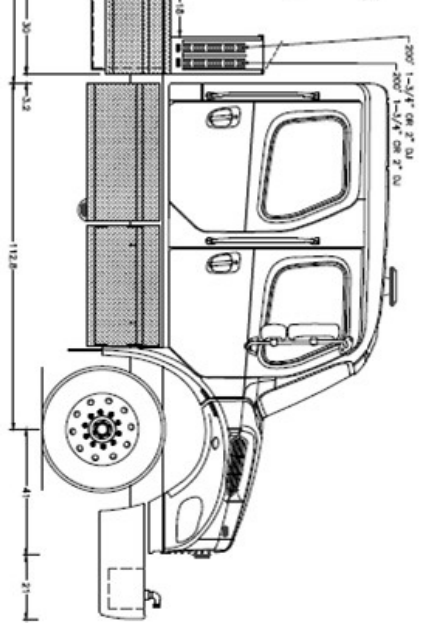
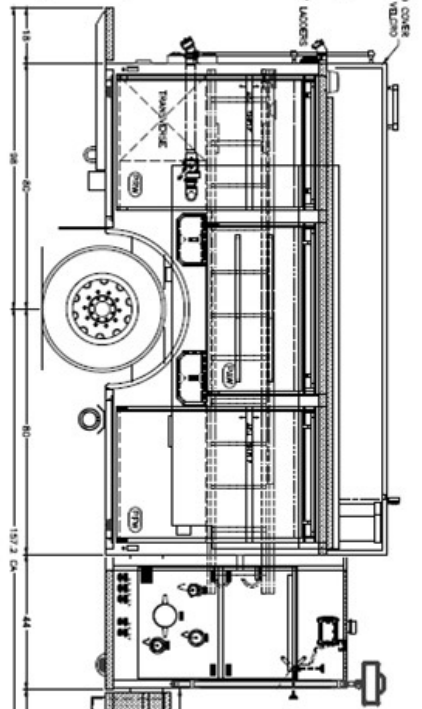
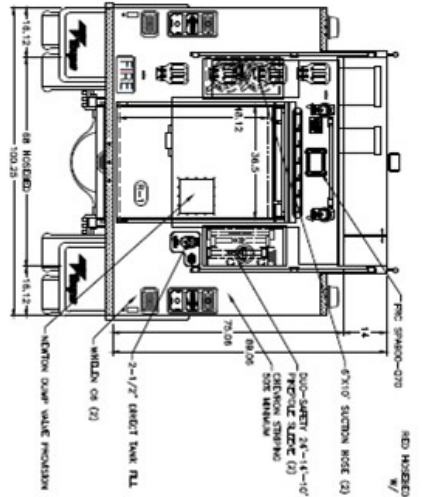
- 1200 Gallon UPF Tank
- ICI SL Plus Tank Gauge
- Rear 2.5" Direct Tank Fill

PUMP

- Hale Qflo 1250 GPM Pump
- Fire Research Pump Boss Pressure Governor
- Foam Pro 1600 Class A Foam System with 25 Gal. Tank
- Left side: 2.5" Discharge
Master Intake
- Right side: 2.5" Discharge
3" Discharge
2.5" Intake
Master Intake
- (2) 1.75" Crosslays
- (2) Rear 2.5" Discharges
- Piped for Foam
- Piped for Monitor
- Front Bumper Hosewell with 1.75" Discharge

ELECTRICAL

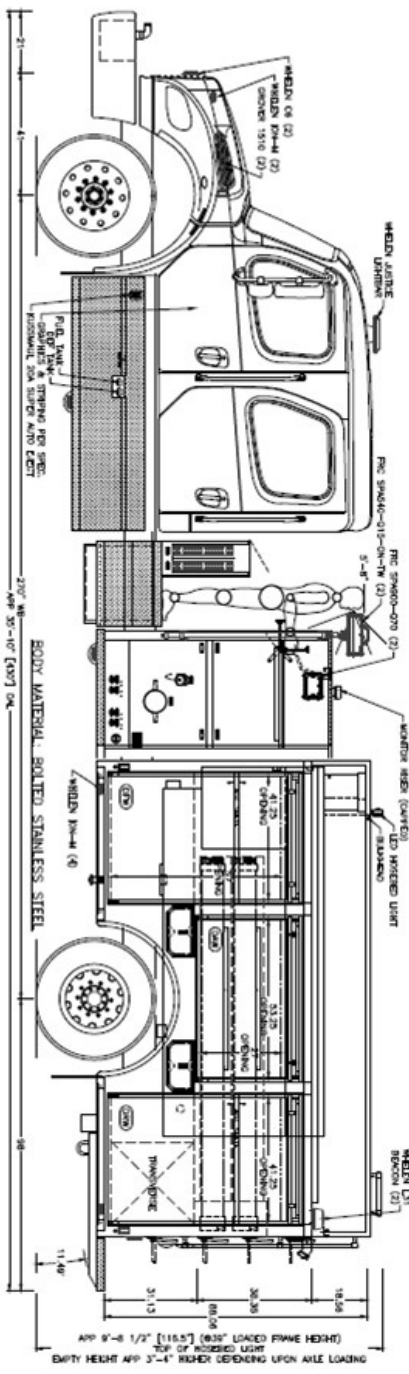
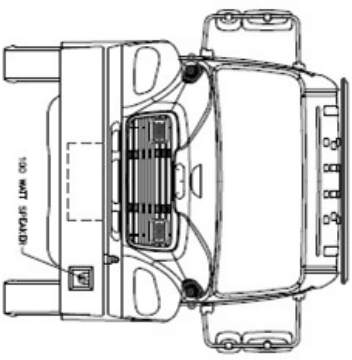
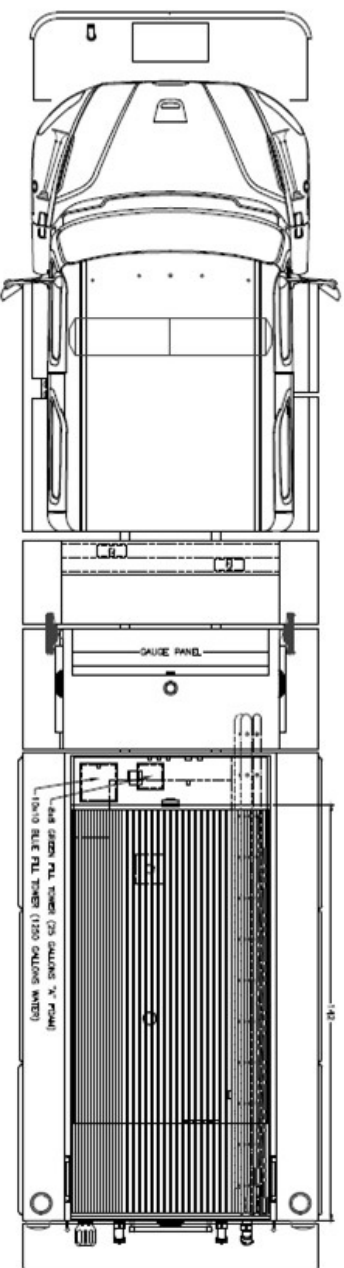
- ILI LED Strip Compartment Lighting
- Whelen Warning Lighting
- FRC LED 900-Q65 Scene Lights
- Fire Research SPA540-Q20 Telescoping Lights



TREADBRITE TEXTURE NOT SHOWN IN TOP VIEW

PREFERRED SCALE IN INCHES

SCALE	LENGTH	WIDTH	HEIGHT
1/8"	10	10	10
1/4"	20	20	20
3/8"	30	30	30
1/2"	40	40	40
3/4"	60	60	60
1"	80	80	80
1 1/4"	100	100	100
1 1/2"	120	120	120
1 3/4"	140	140	140
2"	160	160	160
2 1/4"	180	180	180
2 1/2"	200	200	200
2 3/4"	220	220	220
3"	240	240	240
3 1/4"	260	260	260
3 1/2"	280	280	280
3 3/4"	300	300	300
4"	320	320	320
4 1/4"	340	340	340
4 1/2"	360	360	360
4 3/4"	380	380	380
5"	400	400	400
5 1/4"	420	420	420
5 1/2"	440	440	440
5 3/4"	460	460	460
6"	480	480	480
6 1/4"	500	500	500
6 1/2"	520	520	520
6 3/4"	540	540	540
7"	560	560	560
7 1/4"	580	580	580
7 1/2"	600	600	600
7 3/4"	620	620	620
8"	640	640 </tr	



NOTE:
DIMENSIONS SHOWN ARE APPROXIMATE AND ARE SUBJECT TO MINOR CHANGE AS MAY BE FOUND NECESSARY DURING CONSTRUCTION. MINOR DETAILS MAY NOT BE SHOWN. IF DISCREPANCIES EXIST BETWEEN THIS DRAWING AND THE WRITTEN SPECIFICATIONS PROVIDED BY TOYNE, THE WRITTEN SPECIFICATIONS SHALL PREVAIL.

ORIGINAL DRAWING	21 FEB 22	CHASSIS:	FREIGHTLINER M2 106 4 DOOR 4XC	SCALE:	1/66	SHEET:	A
WB-CA-F:	270-157-2-47	D17		CITY:	---		
BODY MATL:	BOLTED STAINLESS STEEL			STATE:	---		
PUMP:	HALE OFLO PLUS 1250			DUR:	---		
TANK:	1200-25 UPF POLY/TANK III			CAD:	GROSSMAN		
FOAM SYSTEM:	PRE-PIPE			DATE:	21 FEBRUARY 2022		
GENERATOR:	N/A			FILE:	13294DEMO		

DEMO
CUSTOM PUMPER

BREDA, IA 51436
800 648 3358
WWW.TOYNE.COM