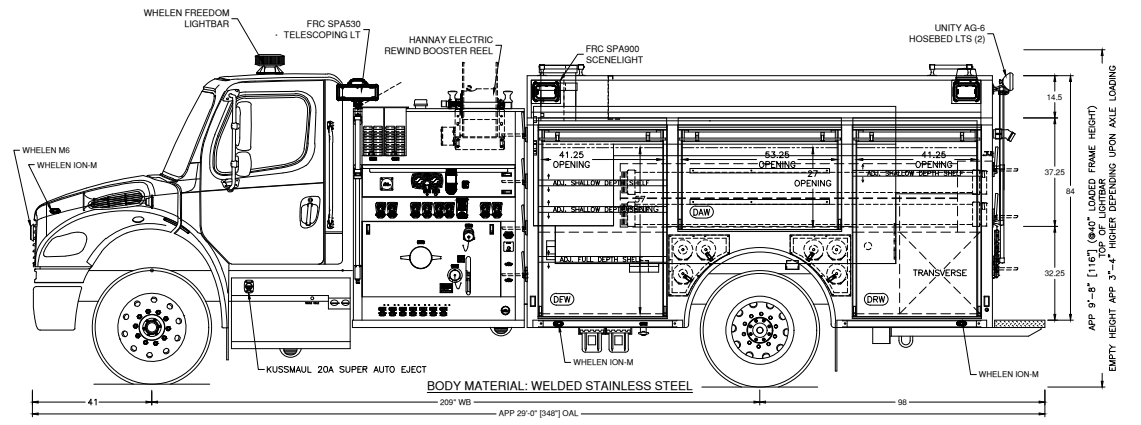
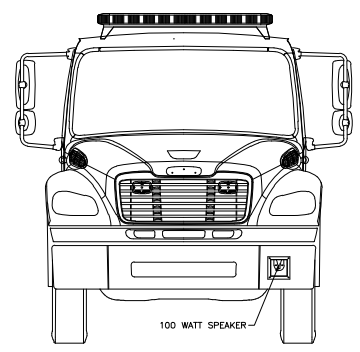
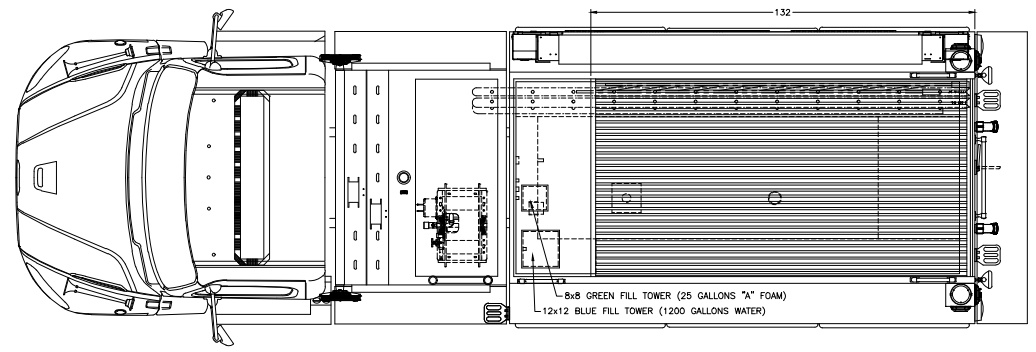


COMP.	HEIGHT	WIDTH	USABLE DEPTH		DIVIDE HEIGHT	FT ³
			UPPER	LOWER		
DFW	67.12	47.88	14	26	28	35.35
DAW	37.12	63.75	14	--	--	19.18
DRW	67.12	44.00	14	26	28	32.49
PRW	28.12	47.88	--	26	--	20.17
PRW	28.12	44.00	--	26	--	18.53
R-1	53.12	44.00	--	30	--	40.48
HOSEBED	14	68	--	132	--	72.72
FRONT X-LAY	16	7.5	--	73.75	--	5.12
REAR X-LAY	16	7.5	--	73.75	--	5.12



NOTE:
DIMENSIONS SHOWN ARE APPROXIMATE AND ARE SUBJECT TO MINOR CHANGE AS MAY BE FOUND NECESSARY DURING CONSTRUCTION. MINOR DETAILS MAY NOT BE SHOWN. IF DISCREPANCIES EXIST BETWEEN THIS DRAWING AND THE WRITTEN SPECIFICATIONS PROVIDED BY TOYNE, THE WRITTEN SPECIFICATIONS SHALL PREVAIL.

ORIGINAL DRAWING	13NOV24	CHASSIS:	FREIGHTLINER M2 106 2 DOOR 4X2	SCALE:	1/66	SHEET:	A
		WB-CA-AF:	209"-143.4"-47"	CITY:	--		
		BODY MATL:	WELDED STAINLESS STEEL	STATE:	--		
		PUMP:	HALE RSD-J 1250	DLR:	TOY		
		TANK:	1200/25 POLY TANK	CAD:	GROSSMAN		
		FOAM SYSTEM:	PRE-PIPE	DATE:	13 NOVEMBER 2024		
		GENERATOR:	N/A	FILE:	14371DEMO		

Toyne
Breda, IA 51436
800-648-3358
WWW.TOYNE.COM

DEMO
CUSTOM PUMPER