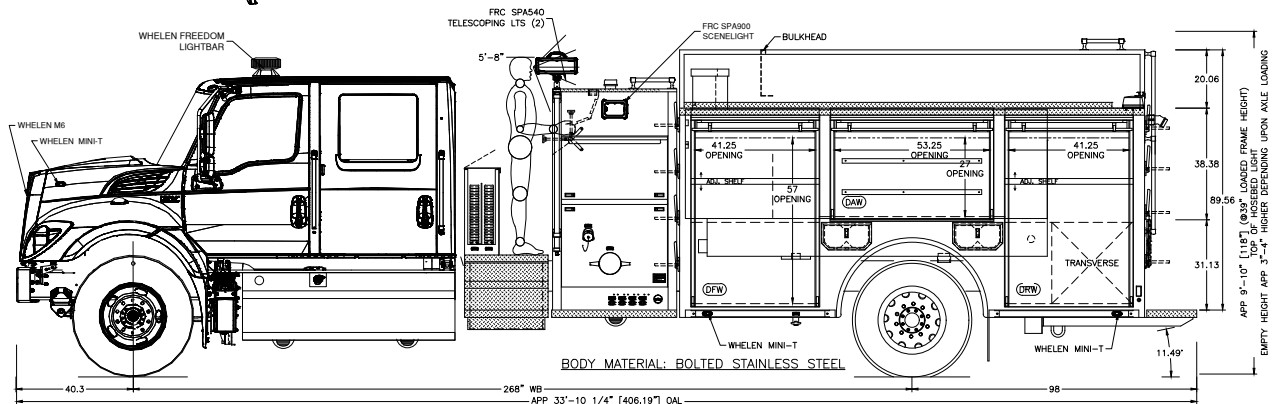
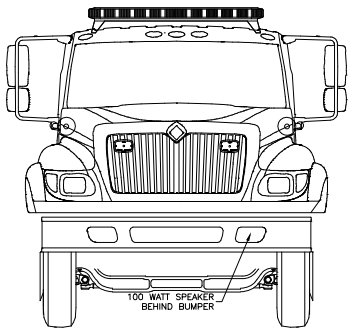
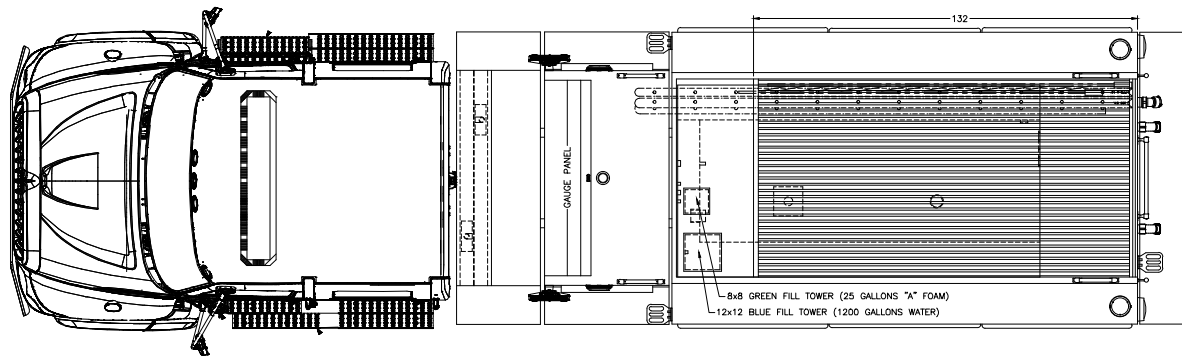


COMP.	HEIGHT	WIDTH	USABLE DEPTH		DIVIDE HEIGHT	FT
			UPPER	LOWER		
DFW	67.12	47.88	14	26	28	35.35
DAW	37.12	63.75	14	-	-	19.18
DRW	67.12	44.00	14	26	28	32.49
DFW	67.12	47.88	14	26	28	35.35
PAW	37.12	63.75	14	-	-	19.18
PRW	67.12	44.00	14	26	28	32.49
R-	54.12	44.00	-	30	-	53.56
HOSEBED	18	68	-	132	-	78.23
FRONT XRAY	25.75	4.62	-	73.75	-	5.08
REAR XRAY	25.75	4.62	-	73.75	-	5.08



NOTE:
DIMENSIONS SHOWN ARE APPROXIMATE AND ARE SUBJECT TO MINOR CHANGE AS MAY BE FOUND NECESSARY DURING CONSTRUCTION. MINOR DETAILS MAY NOT BE SHOWN. IF DISCREPANCIES EXIST BETWEEN THIS DRAWING AND THE WRITTEN SPECIFICATIONS PROVIDED BY TOYNE, THE WRITTEN SPECIFICATIONS SHALL PREVAIL.

ORIGINAL DRAWING	10NOV25	CHASSIS:	INTERNATIONAL HV607 4DOOR 4x2	SCALE:	1/66	SHEET:	A
		WB-CA-AF:	268"-157.9"-47" D16	CITY:	--		
		BODY MATL:	BOLTED STAINLESS STEEL	STATE:	--		
		PUMP:	HALE QMAX 1500	DLR:	TOY		
		TANK:	1200/25 POLY TANK	CAD:	GROSSMAN		
		FOAM SYSTEM:	PRE-PIPE	DATE:	10 NOVEMBER 2025		
		GENERATOR:	N/A	FILE:	14229DEMO		

BREDA, IA 51436
800-648-3358
WWW.TOYNE.COM

DEMO
CUSTOM PUMPER